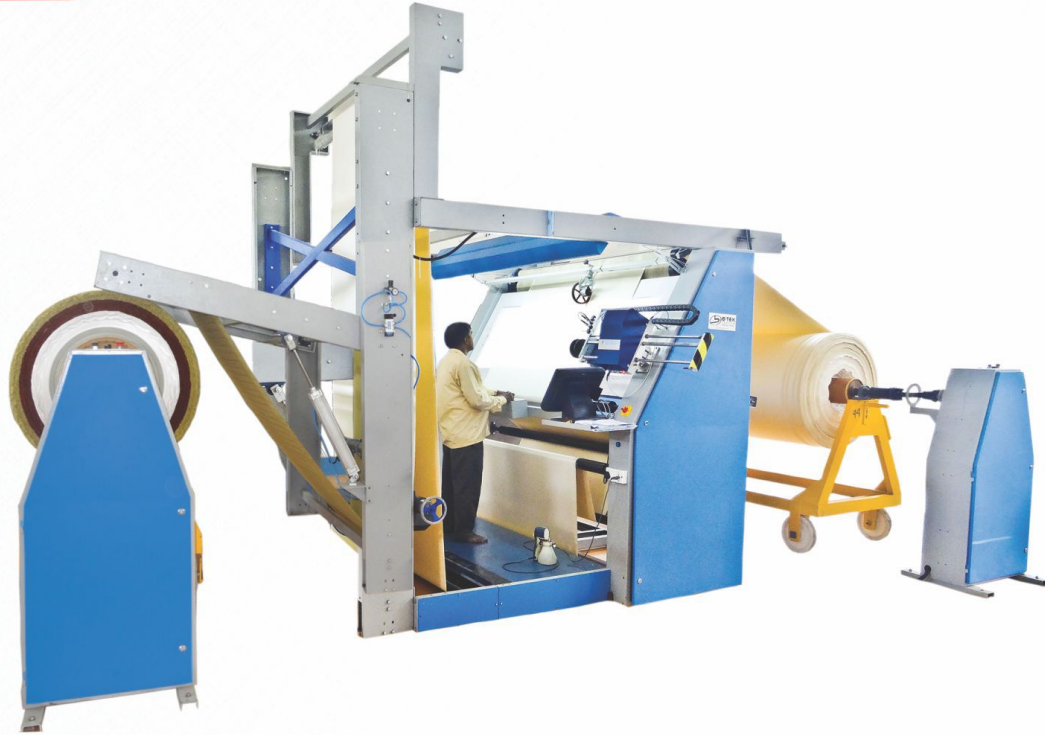


Divine ▶ ABB+ABB



Features:

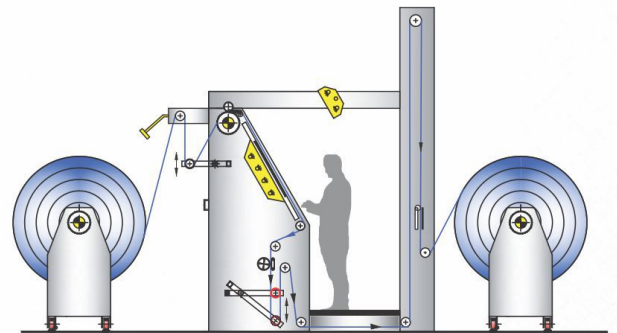
- Control Panel
- Feed Axial Driven
- Edge Guider
- Delivery Axial Driven
- Dual Dancing Compensator
- HMI
- Inspection
- Platform
- Variable Speed
- Edge Guider
- Full Length Reversing
- Anti-Crease Rollers
- Electronic Counter
- Perfect Sync
- Italian Geared-Motor
- Powder Coated

Optional:

- Data Logging Software (IGS)
- Touch Screen
- Feed Auto Stop
- Anti-Slip Mechanism
- Hood
- S.S. Guide Rolls
- Barcoding

Divine is a mapping machine designed to inspect the fabric in Batch to Batch form without tension and defects can be logged for optimisation. 'A' Frame Trolley is joined with Center-Driven Axial through a Cardin Joint in feed and delivery. Accurate electronic Length counter meter with anti-slip mechanism is provided for measurement and highly efficient E+L edge guider promises to maintain center line. Minimum wastage and high inspection quality of fabric, tensionless handling for enhanced fabric care, single operator run are some of the additional benefits.

B-Tex Inspection and Grading System (IGS) software can be installed with touch screen for defect logging, which later can be optimised before final cutting & packing.

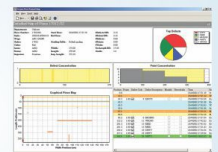


IGS - Inspection and Grading Software

IGS is designed to grade the fabric quality by defect logging as per international 4 Point System. Mapping Module, Optimisation Module and Auto-Cut modules ensures to deliver High 1st Choice fabric, minimise wastage, optimised cutting and reduce labour.



Mapping Module



Optimisation Module



Auto-Cut Module



Touch Screen Monitor