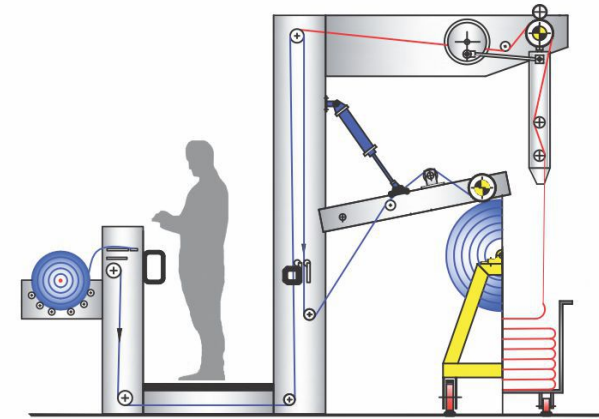


BPM ▶ Roll to Batch/Fold



BPM is a economical model to make Big-Batch/pile from small rolls. Small rolls are feed in cradle and sewing operation is carried up, which later convert into Big-Batch or pile form. **BPM** can be tailor made as per requirement and additional options like Inspection Table, Brushing, etc can be added.



Features:



Cradle



Auto Sewing



Platform



Variable Speed



Edge Guider



Surface Big-Batcher



Delivery Paiter



Italian Geared-Motor

Optional:



Electronic Counter



Inspection Table



S.S. J-Scray



Driven Scroll Roll



Brushing



Dust Collector



S.S. Guide Rolls