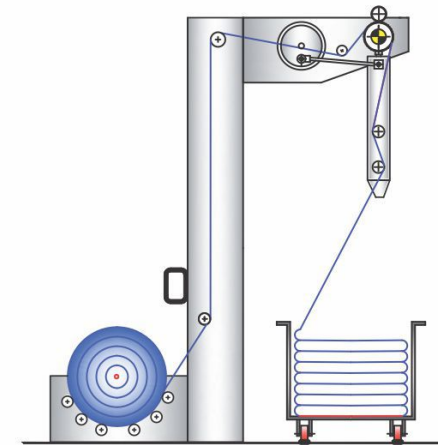


BRO ▶ Roll Opener



B-TEX Roll Opener is simple machine to convert roll form to fold form. It consists of cradle with free rollers and heavy-duty vertical frame with cross binders to support Plaiter unit. Fabric is delivered in fold form with adjustable length. Driven un-winder and inspection table with illumination can be added to upgrade the machine.



Features:



Cradle



Auto Sewing



Platform



Electronic Counter



Variable Speed



Delivery Plaiter



Italian Geared-Motor



Powder Coated

Optional:



Driven Un-winder



Inspection Table



Surface Big-Batcher



Brushing



Dust Collector



S.S. Guide Rolls